



MELT PRESSURE GAUGE

MODEL 0150



MODEL 0150

The ISI melt pressure gauge provides reliable maintenance free, localized pressure indication. This gauge is designed for maximum durability. The small capillary tube filled with a special medium isolates the gauge housing from potential thermal damage. The rigid stem makes installation fast and easy.

FEATURES

All models are rugged, totally self-contained and allow the user to benefit from the improved efficiency and quality that goes with pressure monitoring.

- Economically priced
- 1.5 times overload capability
- Easy to read display
- Armoloy coated diaphragm
- Other diaphragms available
- No power required

MODEL 0151



MODEL 0151

The 0151 offers all the advantages of Model 0150, but incorporates an 30-inch flexible capillary tubing with a stainless steel armored jacket between the gauge housing and the stem.

These gauges are designed for applications requiring further thermal isolation or where installation would be otherwise difficult or impractical.

MODEL 0152

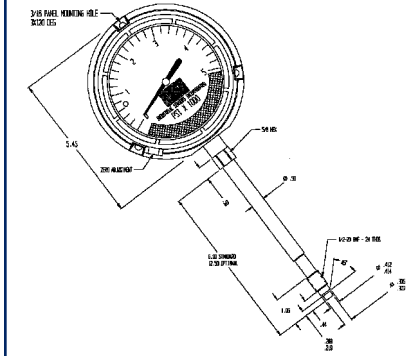


MODEL 0152

The 0152 provides simultaneous measurement of pressure and temperature at a single point.

Only one mounting hole is required for installation. The thermocouple or optional RTD is protected from process hazards and can be replaced without interrupting the pressure signal. Pressure performance is identical to Models 0150 and 0151.

MODEL 0150



DEVICE SPECIFICATIONS

MECHANICAL RANGES

PSIG	BAR
0-5,000	0-350
0-10,000	0-700

Combined Error/Error Band	±2.0% of full scale output
Overload Capability	1.5 times full scale output
Mounting Torque	500 inch-pounds maximum (120 inch-pound recommended)
Diaphragm Material	15-5PH stainless steel (Armoloy coated)

TEMPERATURE EFFECT ON GAUGE HOUSING

Maximum Temperature	185°F or 55°C
---------------------	---------------

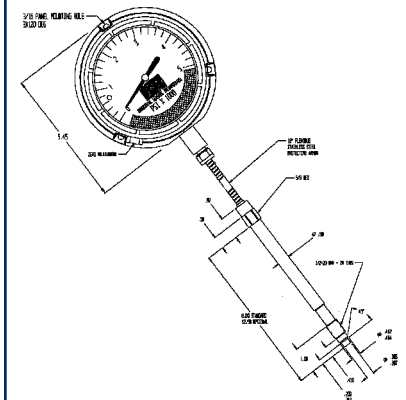
TEMPERATURE ON DIAPHRAGM

Maximum Temperature	750°F or 400°C
Zero Shift	25 PSIG/100°F or 45 PSIG/100°C

CONNECTIONS

Mounting	1/2-20 UNF thread (standard) M18x1.5 (also available)
----------	--

MODEL 0151



STEM CONFIGURATION

Stem Down (SD)	See 0150 drawing (standard)
Stem Up (SU)	Available as an option (consult factory)

ORDERING GUIDE

MELT PRESSURE GAUGES

When ordering, specify: ISI Model, Code #, Stem Length and Flex Length*

Example: ISI 0150-5.0T-6 or 0151-5.0T-6/30

ISI MODEL	PRESSURE RANGE		STEM LENGTH**	FLEX LENGTH**		
	PSIG	CODE #			BAR	CODE #
ISI 0150	0-5,000	5.0 T	0-350	3.5 CB	6 = 6 in.	30 in.
ISI 0151	0-10,000	10.0 T	0-700	7.0 CB	12 = 12.5 in.	
ISI 0152						

*(0151 and 0152 version only) **(other lengths available)

MODEL 0152

