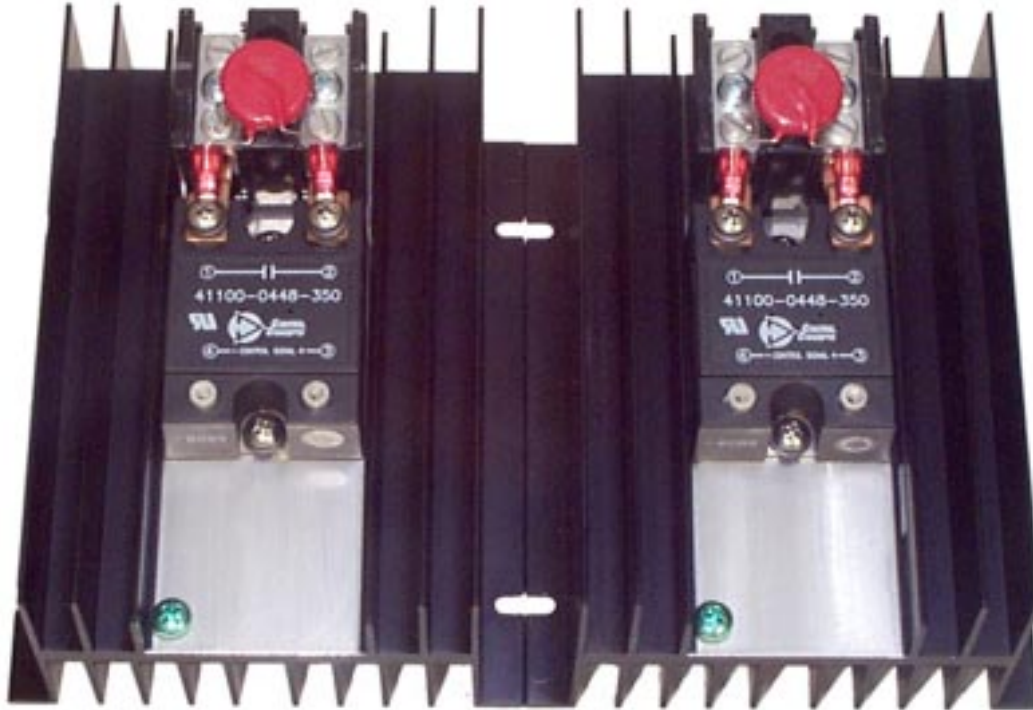


**Two-leg,
Three-Phase,
Zero-Cross
SCR Controller**



Description

The models 3024 and 3024A are two-leg, three phase, zero-cross power controllers.

The model 3024 controller responds to a DC command signal between 3.5 and 32 Volts.

The model 3024A controller responds to an AC command signal between 90 and 280 Volts.

Both models control the average AC voltage to two legs of a three phase load proportional to the command signal.

The command signal is electrically isolated from the line and load voltage.

Applications

- **Transient Free Switching**
- **Solid State Contactor Replacement**
- **On/Off Control**

Approvals



LISTED 3L32
INDUSTRIAL
CONTROL
EQUIPMENT



CERTIFIED
BY UL TO
CANADIAN
NATIONAL
STANDARDS

Mounting Dimensions

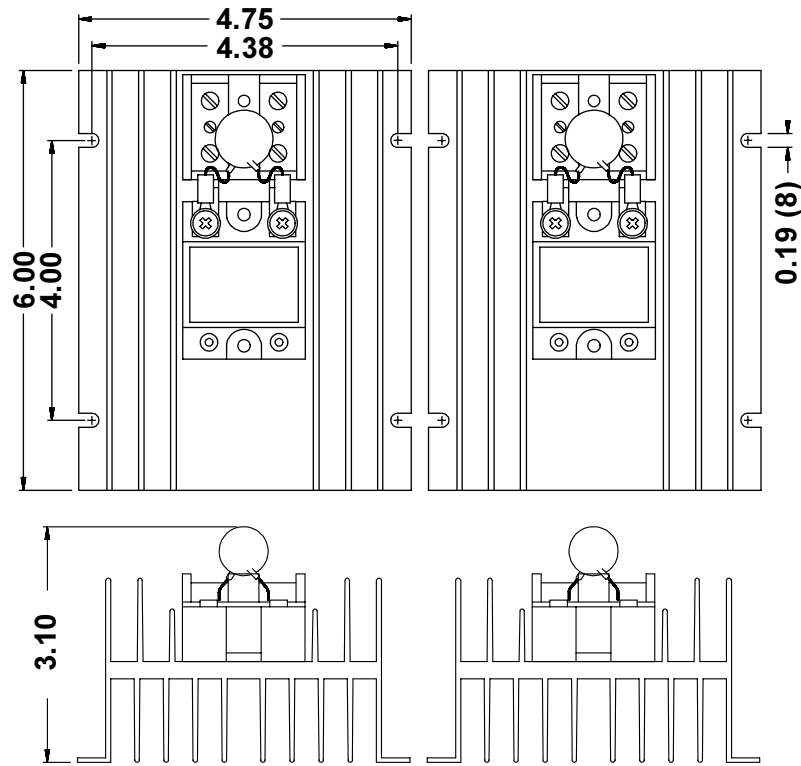


Figure 1. 10 to 40 Amp controller.

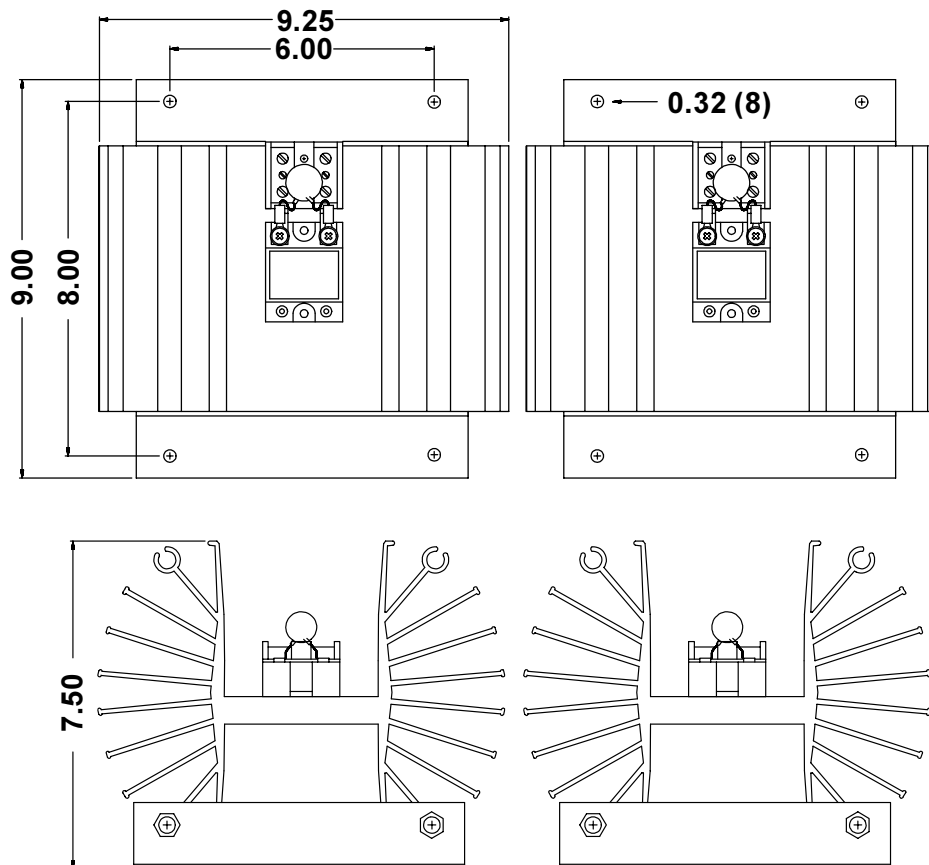


Figure 2. 70 Amp controller.

Wiring Diagram

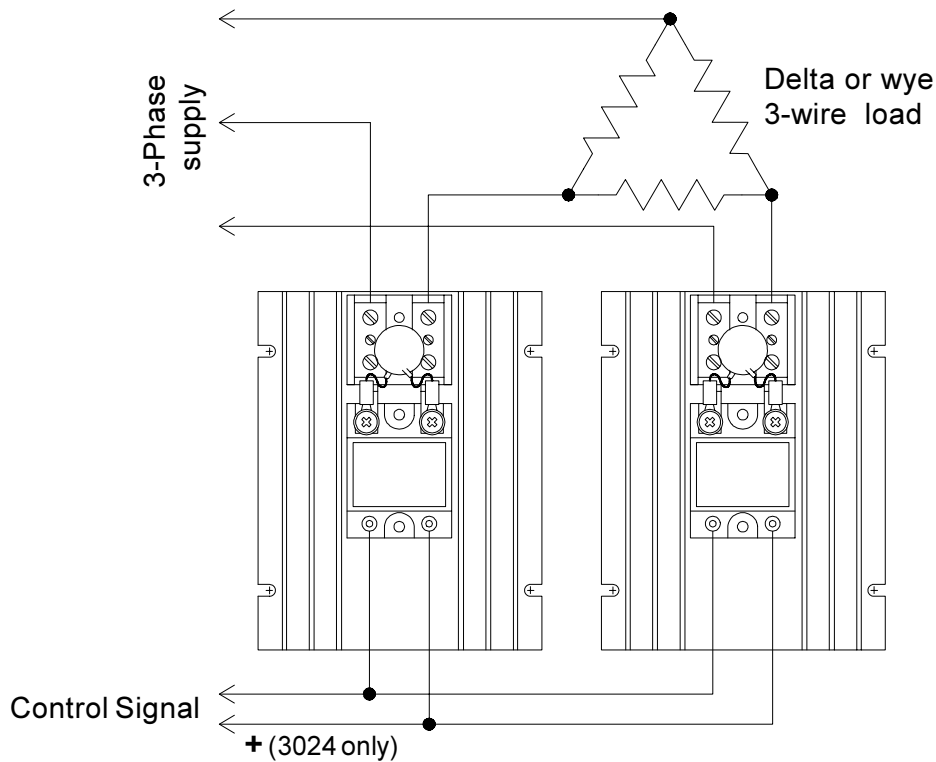


Figure 3. Electrical Connections

Ordering Information

3024-(xx-xx) or 3024A-(xx-xx)

3024 Three Phase, Zero-Cross with 4-32Vdc command

3024A Three Phase, Zero-Cross with 90-280Vac command

(xx-xx)

- 12-10 = 120 Volt line, 10 Amp load
- 12-20 = 120 Volt line, 20 Amp load
- 12-30 = 120 Volt line, 30 Amp load
- 12-40 = 120 Volt line, 40 Amp load
- 12-70 = 120 Volt line, 70 Amp load
- 24-10 = 240 Volt line, 10 Amp load
- 24-20 = 240 Volt line, 20 Amp load
- 24-30 = 240 Volt line, 30 Amp load
- 24-40 = 240 Volt line, 40 Amp load
- 24-70 = 240 Volt line, 70 Amp load
- 48-10 = 480 Volt line, 10 Amp load
- 48-20 = 480 Volt line, 20 Amp load
- 48-30 = 480 Volt line, 30 Amp load
- 48-40 = 480 Volt line, 40 Amp load
- 48-70 = 480 Volt line, 70 Amp load
- 57-10 = 575 Volt line, 10 Amp load
- 57-20 = 575 Volt line, 20 Amp load
- 57-30 = 575 Volt line, 30 Amp load
- 57-40 = 575 Volt line, 40 Amp load
- 57-70 = 575 Volt line, 70 Amp load

Complementary Products

Control Concepts, Inc., offers a wide variety of phase angle and zero cross power controllers designed for your toughest process control applications. Single and Three Phase controllers with current ratings from 10 to 1000 amps in either single or three phase. In addition, Control Concepts, Inc. offers custom SCR power controllers to meet your unique requirements.

Control Concepts, Inc. has the expertise and the products to meet your specific industrial control needs. Call us today for answers that work.

